

Cube IEPE accelerometer



Features

- Miniature Size
- Adhesive or stud mounting
- Hermetic seal
- Annular shear mode
- Wide temperature range
- Wide frequency response

Application

- Vibration monitoring
- Shock testing
- Road testing
- Modal analysis
- Aircraft testing

Dynamic

Sensitivity, ±10%, 25°C.....	50 mV/g
Acceleration range	100 g peak
Amplitude nonlinearity.....	1%
Frequency response:	
± 5%.....	1 - 7,000 Hz
±1dB.....	1 - 10,000 Hz
± 3 dB.....	0.5 - 20,000 Hz
Resonance frequency.....	40 kHz
Transverse sensitivity, max.....	5% of axial
Temperature response:	
-50°C.....	-10%
+120°C.....	+10%

Electrical

Power requirement: voltage source	18 - 30 VDC
current regulating diode	2 - 10 mA
Electrical noise, Broadband Spectral(g):	
1 Hz to 10 kHz.....	2 mg
Output impedance, max.....	100 Ω
Bias output voltage.....	10 VDC
Grounding.....	Case grounded

Environmental

Temperature range.....	-50 to 125°C
Vibration limit.....	500 g peak
Shock limit.....	5,000 g peak
Electromagnetic sensitivity, equiv g, max	70 µg/gauss
Sealing	Hermetic
Base strain sensitivity, max.....	0.0002 g/µstrain

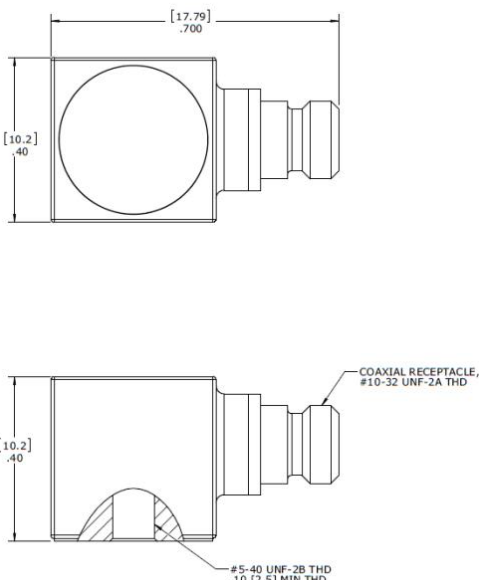
Physical

Sensing element design.....	PZT ceramic/shear
Weight.....	7 grams
Case material.....	Stainless Steel
Output connector.....	10-32

Accessories

Mounting stud:10-32(-E)
Mating cable with BNC output
Calibration certificate

Note: Frequency response limits spectral and noise values are typical



Ordering Information

